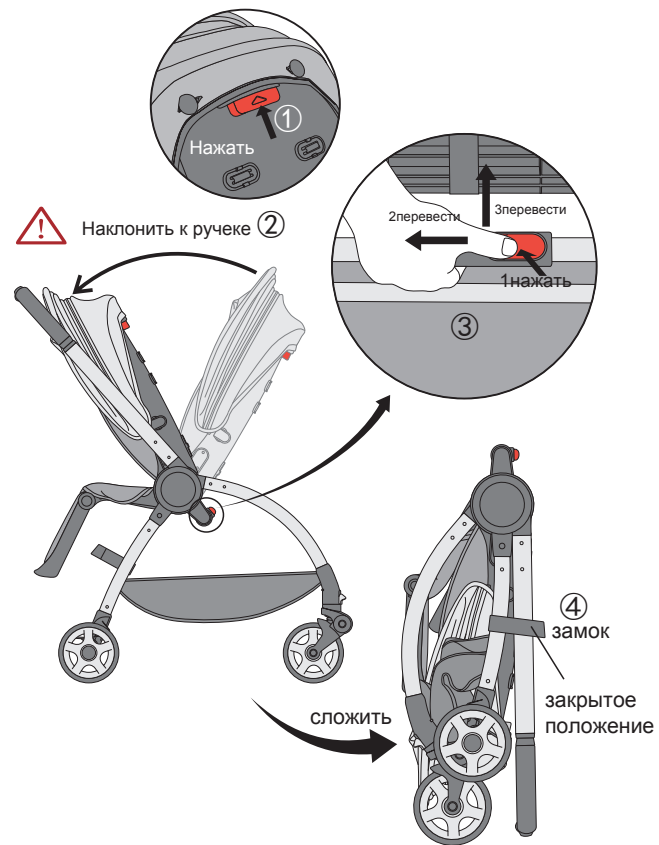




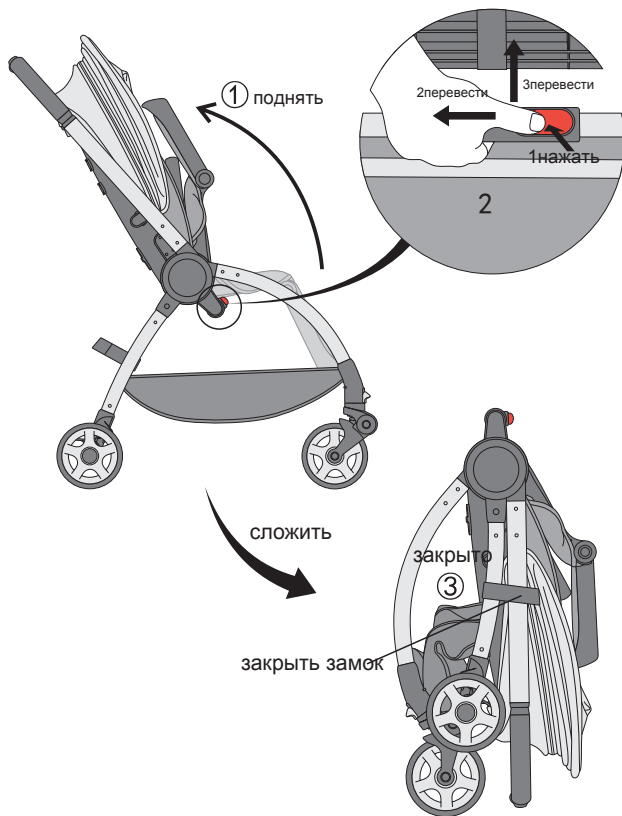
# Инструкция

## Складывание коляски с реверсным сиденьем

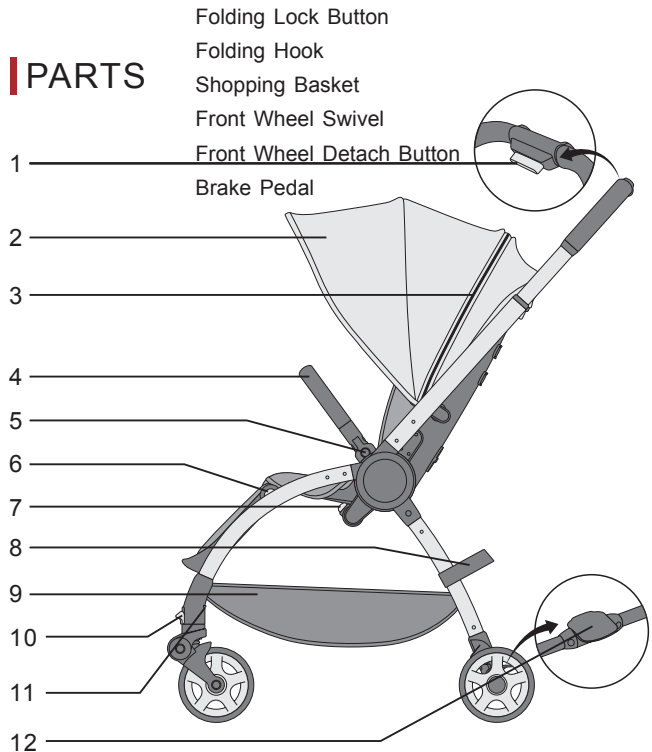


# Инструкция

## Складывание коляски сидение вперед



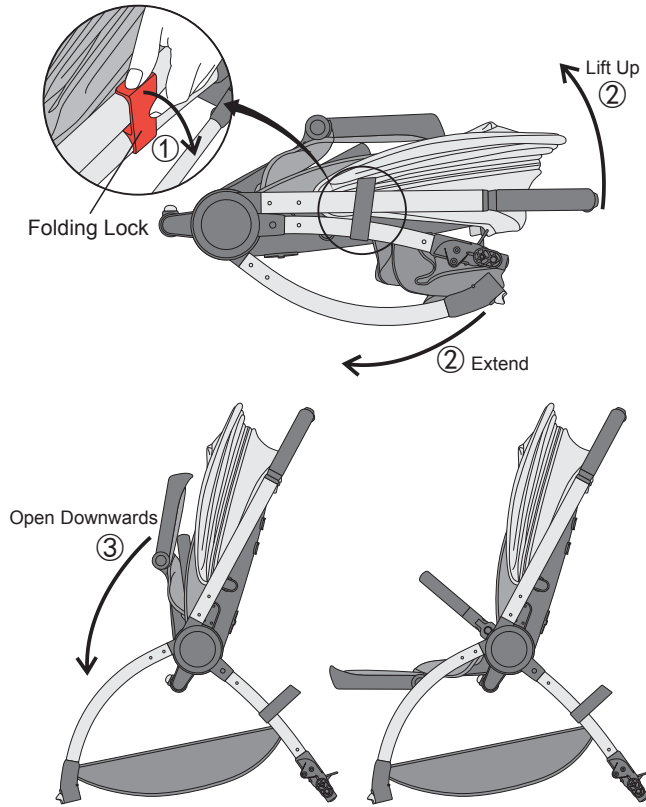
## PARTS



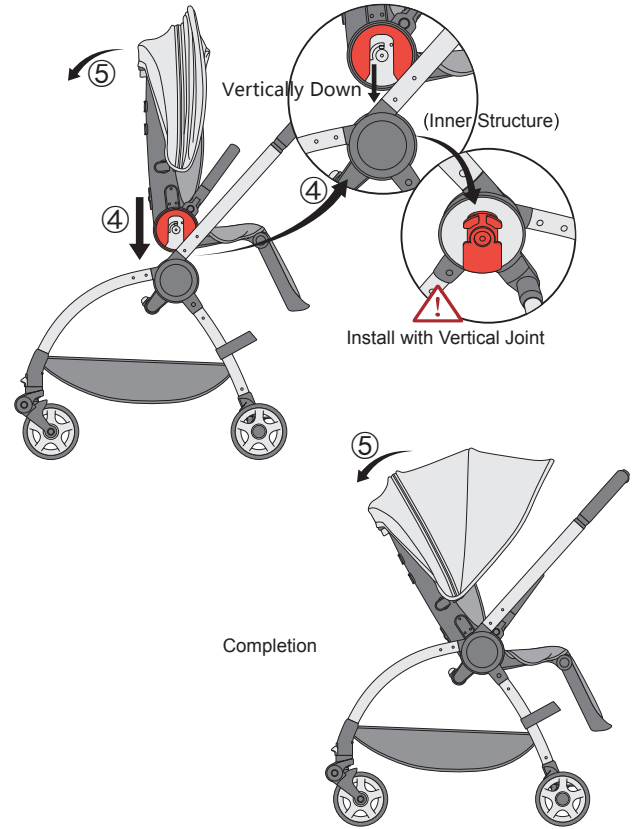
- |                       |                                |
|-----------------------|--------------------------------|
| 1. кнопка сложения    | 7. замок сложения коляски      |
| 2. капюшон            | 8. замок/фиксатор              |
| 3. замок капюшона     | 9. сумка                       |
| 4. бампер             | 10. фиксатор направления колес |
| 5. замок бамперы      | 11. фиксатор крепления колес   |
| 6. регулятор подножки | 12. тормоз                     |

# Assembly Instructions

## Chassis Opening

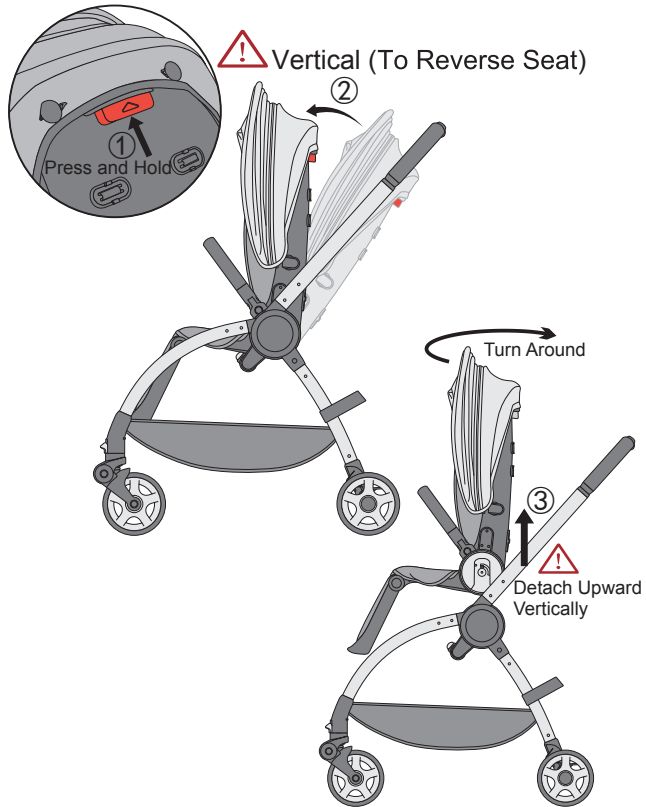


# Usage Instructions



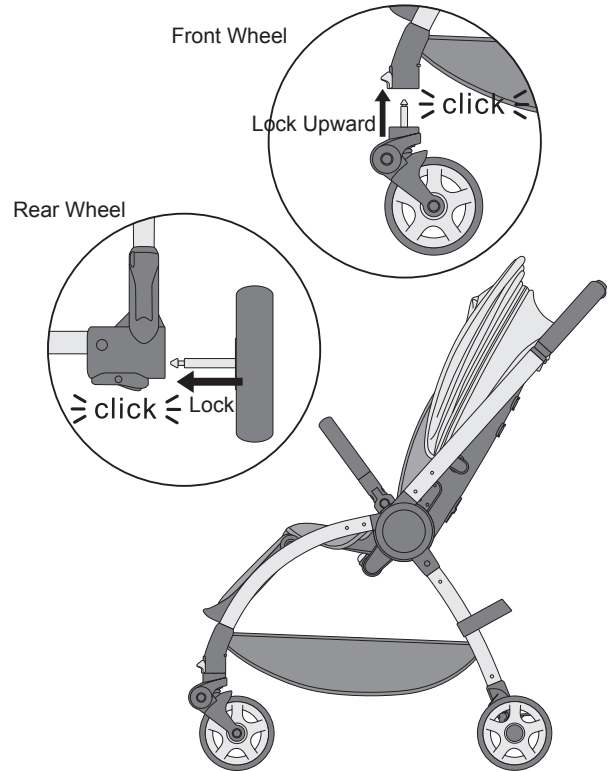
# Usage Instructions

## To Reverse The Seat



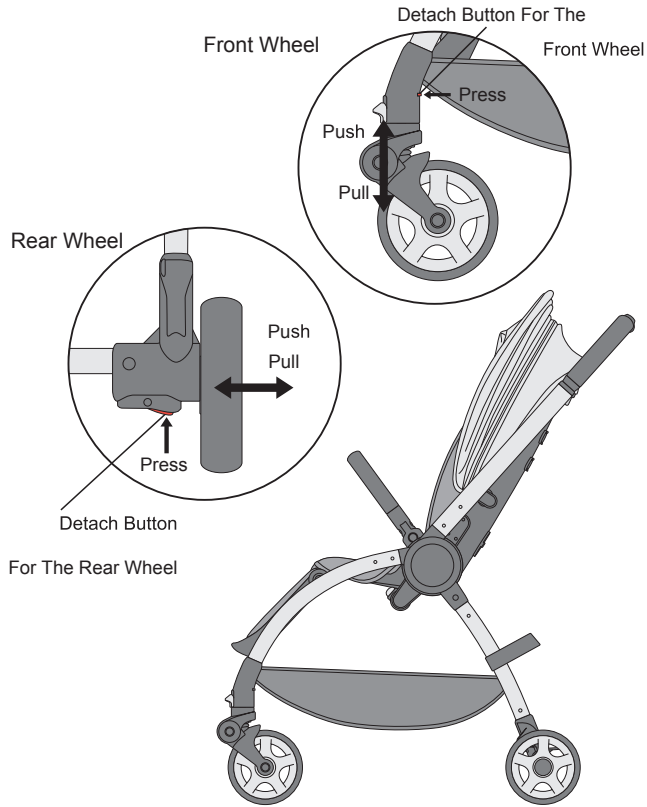
# Assembly Instructions

## Front & Rear Wheel Installation



# Usage Instructions

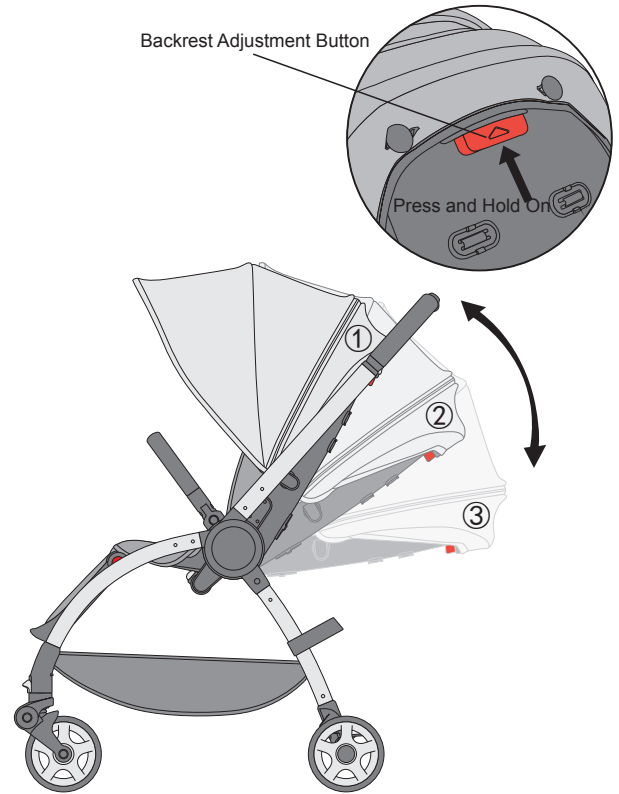
## Front & Rear Wheel Assembly and Removal



6

# Usage Instructions

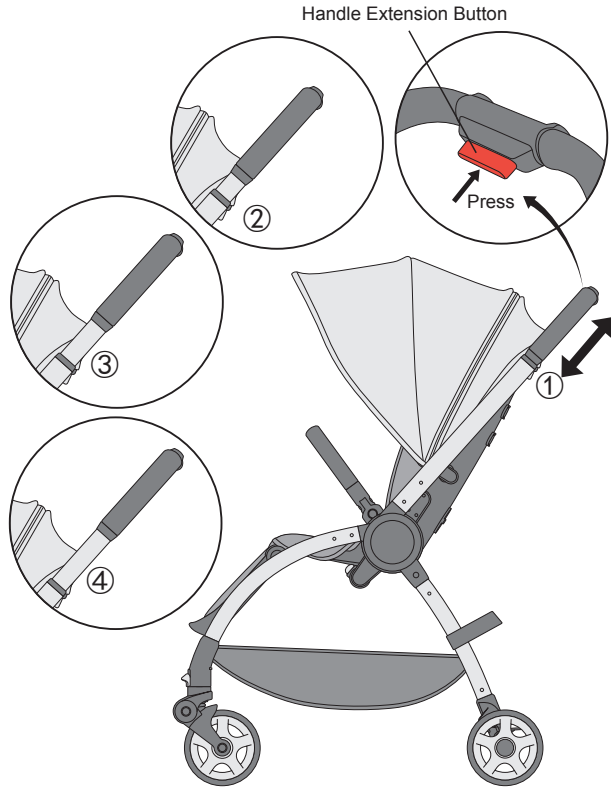
## Backrest Adjustment



13

# Usage Instructions

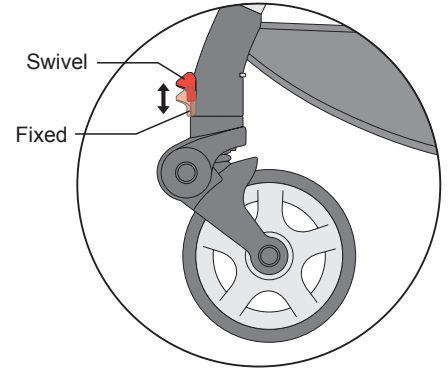
## Handle Extension



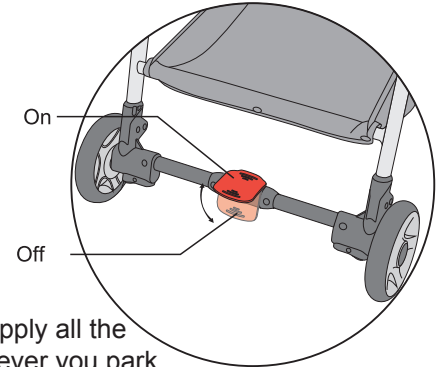
# Usage Instructions

## Steering And Braking

### Front Wheel



### Rear Wheel

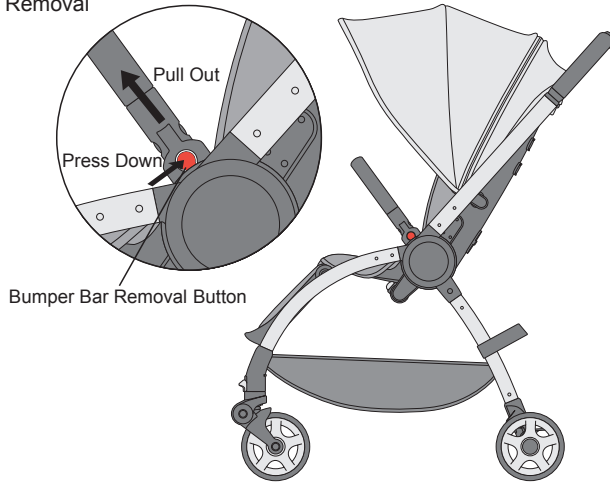


**WARNING** Apply all the brakes whenever you park the stroller.

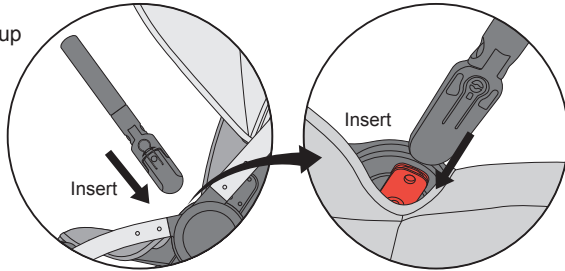
# Usage Instructions

## Bumper Bar Setup And Removal

Removal



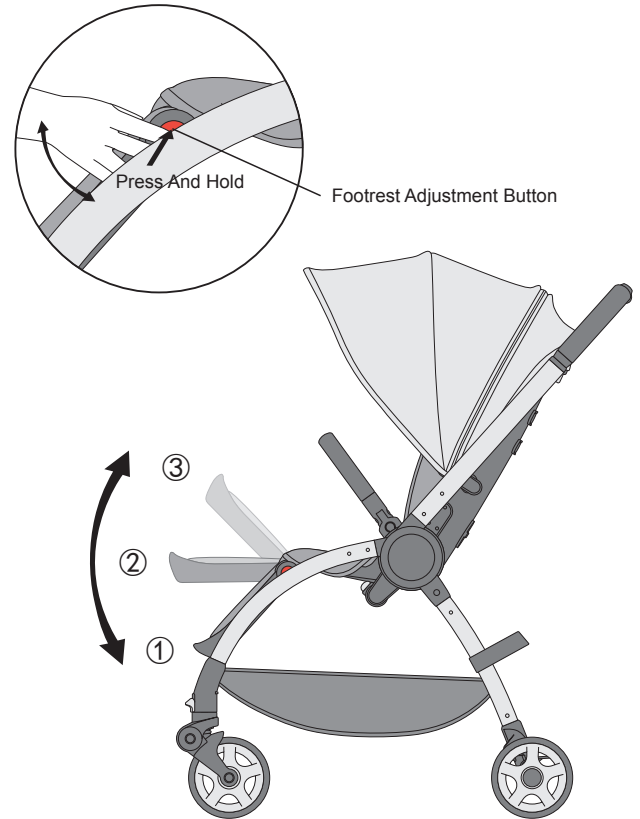
Setup



8

# Usage Instructions

## Footrest Adjustment



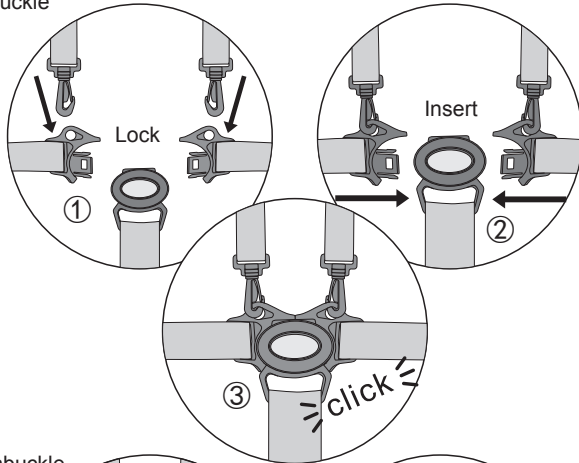
11

## Usage Instructions **Harness Usage**

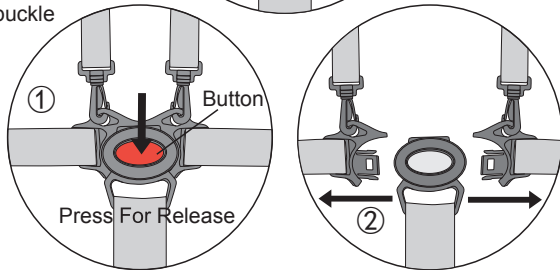
**WARNING!** Always use the crotch strap in combination with the waist belt.

**WARNING!** For babies aged 0 - 6 months the harness must be fed through the lowest retaining loops to prevent risk of strangulation.

Buckle



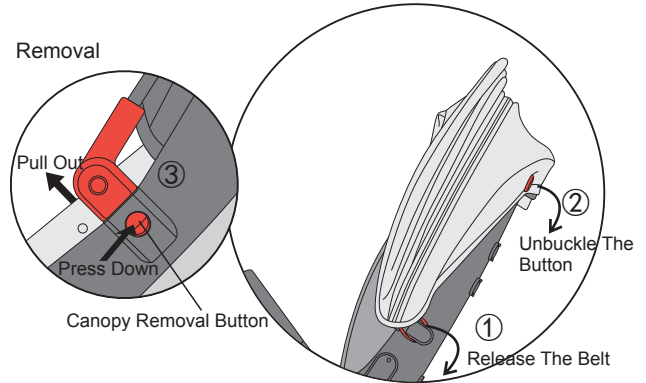
Unbuckle



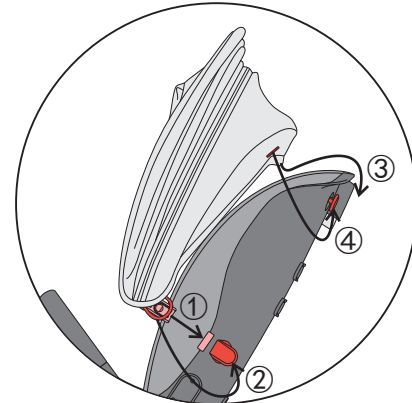
10

## Usage Instructions

### **Hood Setup And Removal**



Setup



9